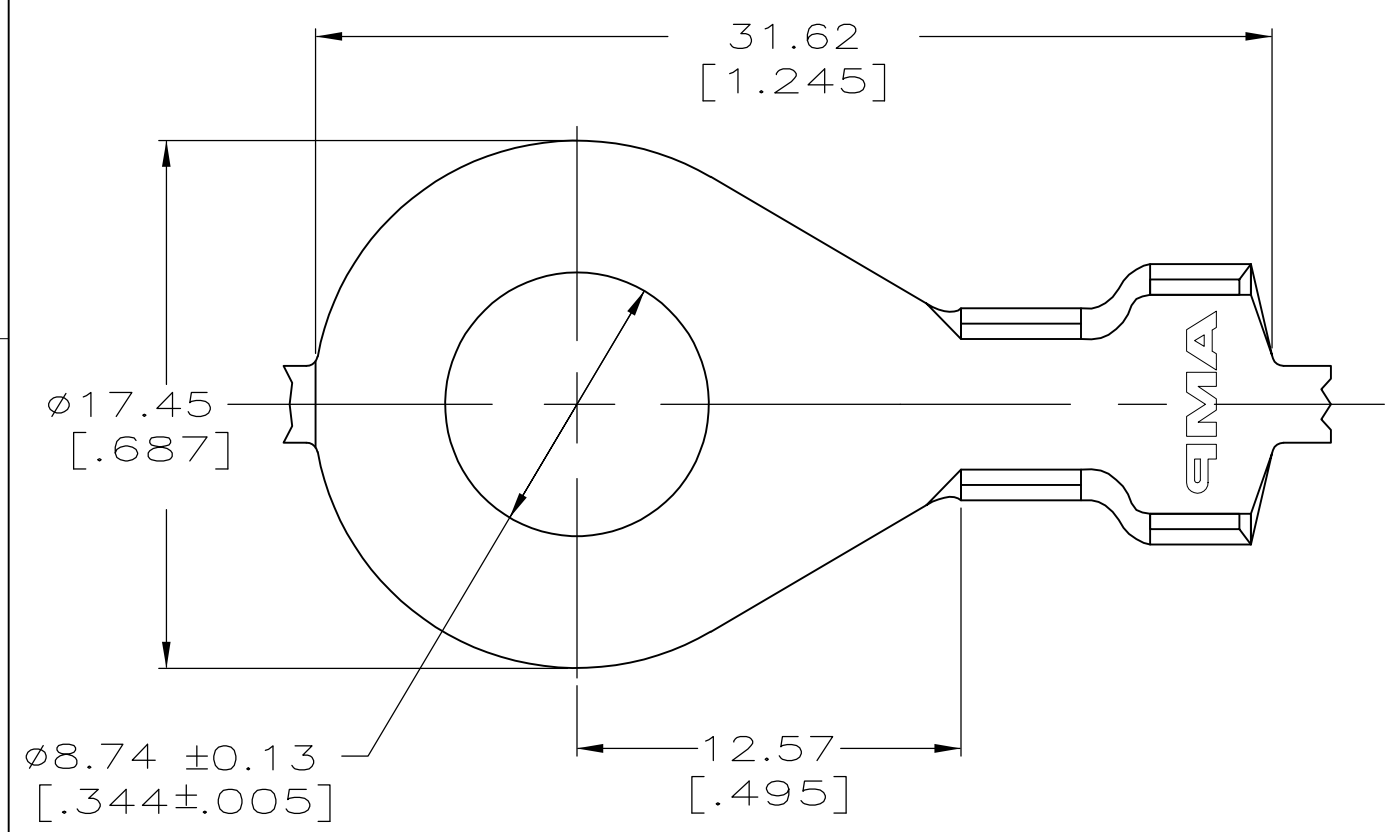
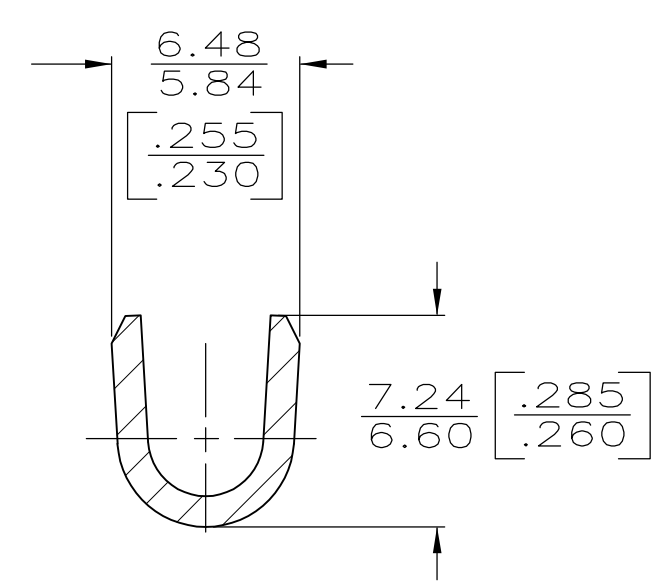


THIS DRAWING IS UNPUBLISHED. RELEASED FOR PUBLICATION  
 © COPYRIGHT - BY TYCO ELECTRONICS CORPORATION. ALL INTERNATIONAL RIGHTS RESERVED.

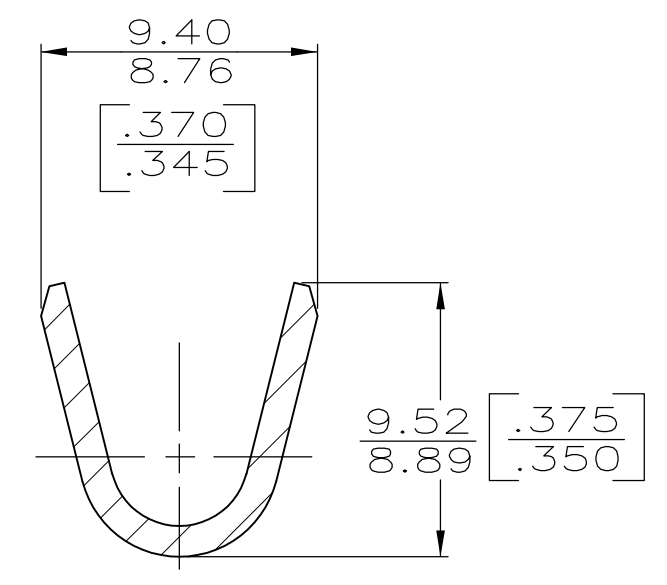
LOC	DIST	REVISIONS					
AF	50	P	LTR	DESCRIPTION	DATE	DWN	APVD
		N		REVISED PER ECR-08-008189	24NOV08	HMR	DD



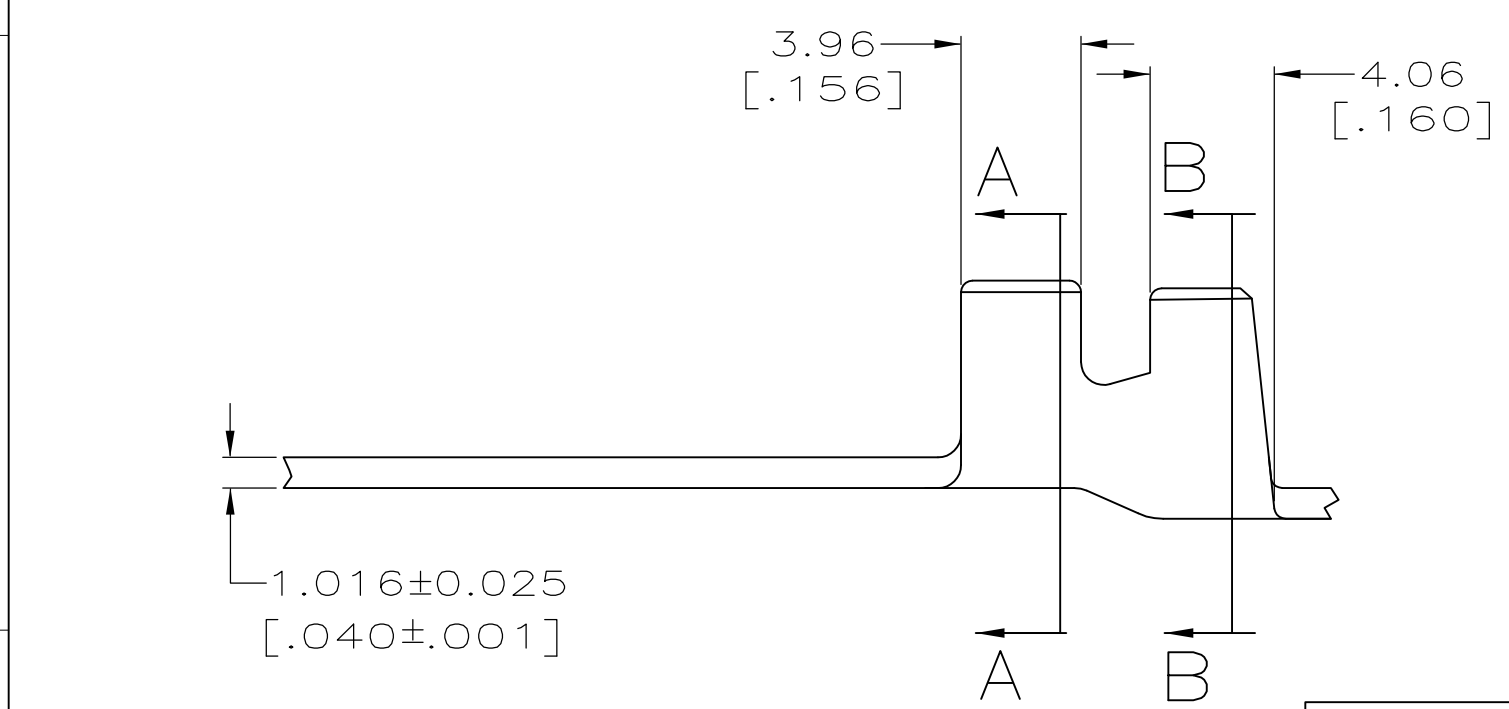
1 CONTINUOUS STRIP ON REEL.



SECTION A-A



SECTION B-B



3.81-5.59 DIA [.150-220]	[12-8] AWG	42946-2
INSULATION RANGE	WIRE RANGE	PART NO

THIS DRAWING IS A CONTROLLED DOCUMENT.		DWN PHILLIP M FORTNEY 25/JAN/96	Tyco Electronics Tyco Electronics Corporation Harrisburg, PA 17105-3608	
DIMENSIONS: mm [INCHES]		CHK JEFF R RUTH 25/JAN/96	NAME	
TOLERANCES UNLESS OTHERWISE SPECIFIED:		APVD GARY N YETTER 25/JAN/96	RING	
<ul style="list-style-type: none"> <li>0 PLC ± -</li> <li>1 PLC ± -</li> <li>2 PLC ± 0.25 [.010]</li> <li>3 PLC ± -</li> <li>4 PLC ± -</li> <li>ANGLES ± -</li> </ul>		PRODUCT SPEC -	RESTRICTED TO	
MATERIAL 082 BRASS		APPLICATION SPEC -	SIZE A3	CAGE CODE 00779
FINISH TIN PLATING		WEIGHT -	DRAWING NO C-42946	REV N
CUSTOMER DRAWING			SCALE 4:1	SHEET 1 OF 1